

# System Attachments

## High Performance Omega Clamps



### Materials

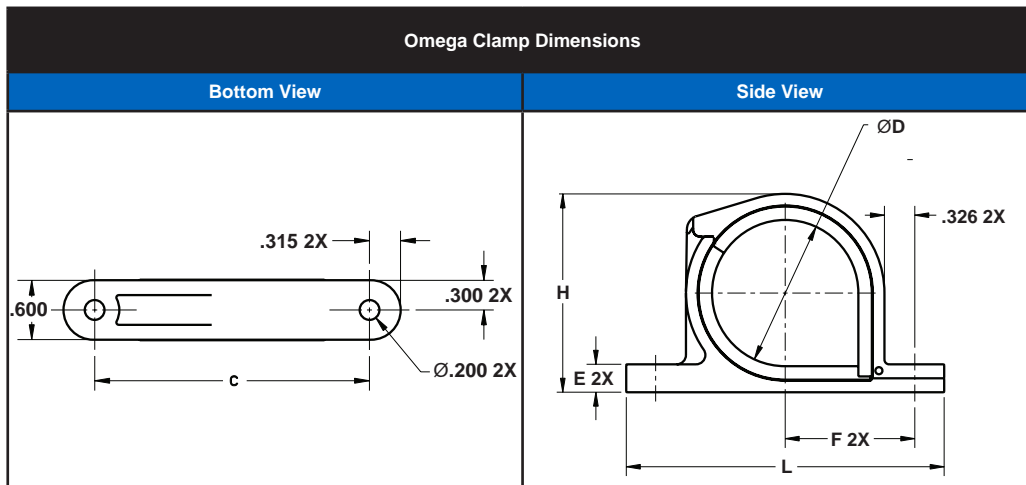
Clamp Base:  
 Polyetheretherketone (PEEK™)  
 Per MIL-P-46183  
 Overmolding:  
 Silicone Rubber per ASTM-D-2000

### Performance

Temperature Limits:  
 Continuous: -65°F to 350°F  
 Excursions: Up to 260°C (500°F)  
 Flammability:  
 UL94, V0, FAR25.853

### Product Description

High Performance Omega Clamps are designed to replace and outperform traditional clamps. Consisting of PEEK™ polymer and featuring an over-molded silicone cushion, these clamps are completely non-corrosive and non-conductive. High Performance Omega Clamps are designed to be lighter than traditional Clamps and are equipped with a locking feature to streamline installation. Alternative cushioning material is available upon request, including Fluorosilicone. This product is available in 20 different sizes.



High Performance Omega Clamps														
Part Number	APCD Diameter		L		F		H		C		E		Weight (lbs) per 100 Clamps	Weight (grams) per 100 Clamps
	Inch	cm	Inch	cm	Inch	cm	Inch	cm	Inch	cm	Inch	cm		
PCL250008	0.45	1.14	2.19	5.56	0.78	1.98	0.91	2.31	1.56	3.96	0.20	0.51	2.0	907
PCL250009	0.51	1.30	2.25	5.72	0.81	2.06	0.97	2.46	1.62	4.11	0.20	0.51	2.1	952
PCL250010	0.57	1.45	2.31	5.87	0.84	2.13	1.03	2.62	1.68	4.27	0.20	0.51	2.2	997
PCL250011	0.63	1.60	2.42	6.15	0.89	2.26	1.14	2.90	1.79	4.55	0.25	0.64	2.9	1315
PCL250012	0.70	1.78	2.49	6.32	0.93	2.36	1.21	3.07	1.86	4.72	0.25	0.64	3.0	1360
PCL250013	0.77	1.96	2.56	6.50	0.96	2.44	1.28	3.25	1.93	4.90	0.25	0.64	3.2	1451
PCL250014	0.83	2.11	2.62	6.65	1.00	2.54	1.34	3.40	1.99	5.05	0.25	0.64	3.3	1496
PCL250015	0.89	2.26	2.68	6.81	1.03	2.62	1.40	3.56	2.05	5.21	0.25	0.64	3.4	1542
PCL250016	0.95	2.41	2.79	7.09	1.08	2.74	1.51	3.84	2.16	5.49	0.30	0.76	4.2	1905
PCL250017	1.01	2.57	2.85	7.24	1.11	2.82	1.57	3.99	2.22	5.64	0.30	0.76	4.4	1995
PCL250018	1.07	2.72	2.91	7.39	1.14	2.90	1.63	4.14	2.28	5.79	0.30	0.76	4.5	2041
PCL250019	1.13	2.87	2.97	7.54	1.17	2.97	1.69	4.29	2.34	5.94	0.30	0.76	4.7	2131
PCL250020	1.20	3.05	3.07	7.80	1.22	3.10	1.79	4.55	2.44	6.20	0.33	0.84	5.3	2404
PCL250021	1.26	3.20	3.10	7.87	1.24	3.15	1.82	4.62	2.47	6.27	0.30	0.76	5.0	2268
PCL250022	1.33	3.38	3.17	8.05	1.27	3.23	1.89	4.80	2.54	6.45	0.30	0.76	5.2	2358
PCL250023	1.39	3.53	3.23	8.20	1.30	3.30	1.95	4.95	2.60	6.60	0.30	0.76	5.3	2404
PCL250024	1.45	3.68	3.29	8.36	1.33	3.38	2.01	5.11	2.66	6.76	0.30	0.76	5.4	2449
PCL250025	1.51	3.84	3.35	8.51	1.36	3.45	2.07	5.26	2.72	6.91	0.30	0.76	5.6	2540
PCL250026	1.57	3.99	3.41	8.66	1.39	3.53	2.13	5.41	2.78	7.06	0.30	0.76	5.7	2585
PCL250032	1.95	4.95	3.82	9.70	1.60	4.06	2.54	6.45	3.19	8.10	0.33	0.84	7.3	3311